

DECLARATION OF CONFORMITY
DECLARACIÓN DE CONFORMIDAD

BE basor
E L E C T R I C

www.basor.com



Certificado Nº SGI 3198065/11



Certificado Nº SGI 3198065/12

The company / *La Empresa:*

BASOR ELECTRIC, S.A.

Address / *Dirección:*

Av. Alcodar, 45-47, 46700. Gandía (VLC), Spain.

Declares that the product:

Declara que el producto:

BASORTRAV F

Installed in accordance to the installation standards, manufacturer's instructions and professional rules, duly maintained and used for the applications as intended.

Instalado de acuerdo con las normas de instalación, instrucciones del fabricante y conforme a las reglas profesionales, debidamente mantenido y utilizado en las aplicaciones para las que está previsto.

Complies with the essential requirements of the Council Directives:

Cumple con los requisitos esenciales de las Directivas del Consejo:

2014/35/UE (Low Voltage Directive) / (Directiva de Baja Tensión)

Incorporated in the Spanish Legislation in: R.D. 7/1988 and its modification R.D. 154/1995.

Incorporado en la Legislación Española en: R.D. 7/1988 y su modificación R.D. 154/1995.

And it is suitable and safe for the intended use and it is in conformity with the following standard:

Es adecuado y seguro para el uso a que está destinado y es conforme con la siguiente norma:

UNE EN 61537

Additional information:

Información adicional:

This product is intended to be installed and maintained by skilled persons, it may be used by ordinary persons only as a replacement part, to substitute for an identical device.

Este producto está previsto para ser instalado y mantenido por un profesional, puede ser usado por una persona no formada para reemplazamiento de uno idéntico.

Place and date:

Lugar y fecha:

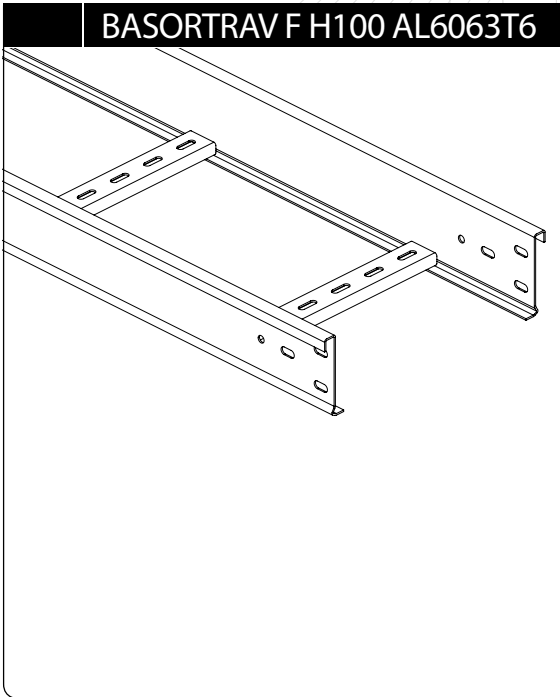
Gandía April 2016

Gandía Abril 2016

Technical department / *Departamento Técnico*

BASORTRAV F H100 AL6063T6

UNE-EN 61537
REV.20/04/2016



BASORTRAV F H100 AL6063T6

Models (BxH): 100x100, 150x100, 200x100, 300x100.

Material: Aluminum AL6063T6

Characteristics of the tray:

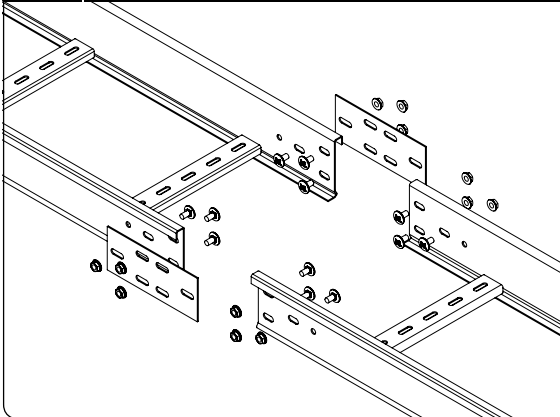
- No-flame propagating component
- System with electrical continuity
- Electrically conductive component
- Minimum temperature of -50 °C
- Maximum temperature of 150 °C
- Impact Strength: 20J

- Classification according to free base area

Base	Classification
100	X
150	X
200	X
300	X

X: UP TO 80%

ASSEMBLY INSTRUCTIONS

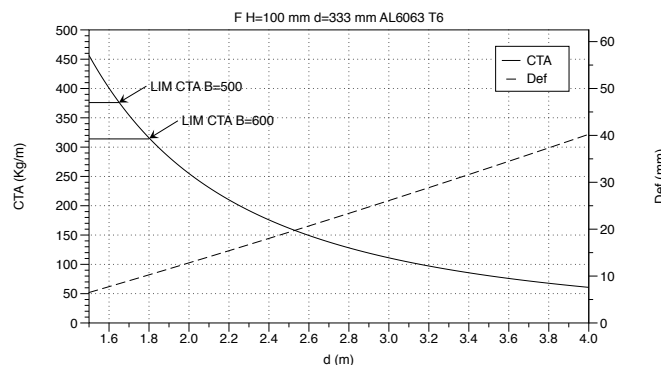


- To assembly to trays, two union joints and 12 B2 bolt&nut sets M8 SS304 are needed.
- The tray installation for an electrical system should NOT run under other types of canalisations such as water, vapour or gas.
- To guarantee a good ventilation we recommend installing the trays keeping a minimum distance of 250 mm between each tray.
- Trays which are placed on supports shall have to keep a gap of 20 mm from the wall to allow for a correct ventilation of the cables.

Accessories:

This product has a wide range of accessories: horizontal bend, vertical inside bend, vertical outside bend, tee derivation , cross derivation, union joint plate, vertical adjustable union joint

SAFE WORKING LOAD



This technical data sheet issued accordingly to the fulfillment of the product Standard, is itself a necessary analyses of the electric risks according to the low tension Directive 2014/35/UE of February 26th 2014, in effect from April 20th 2016